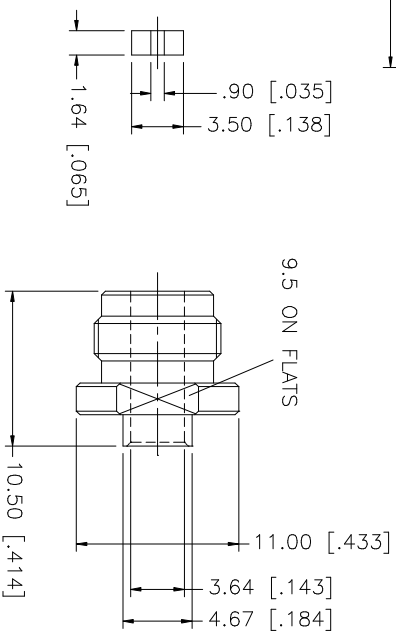
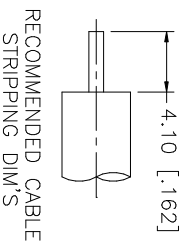
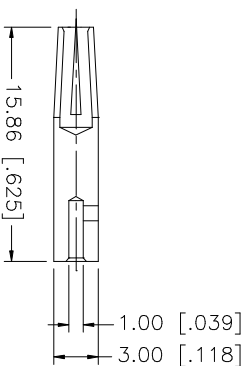
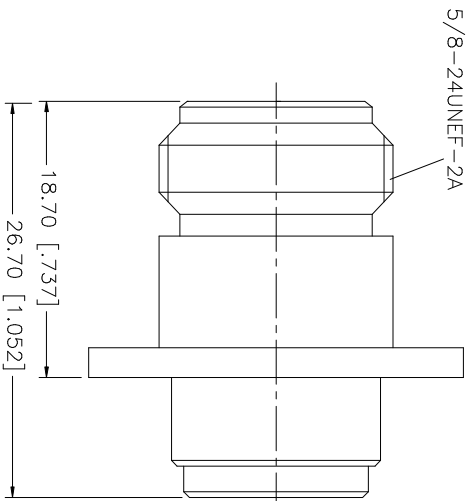
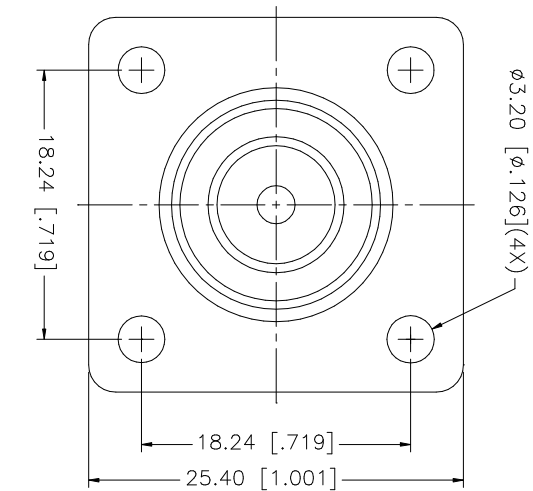


REV.	DATE	DESCRIPTION
A	04/11/03	MODIFY PLATING SPECS. / UPDATE DRAWING FORMAT
B	01/30/04	MODIFY CONTACT PIN AND INSULATOR



NOTE:
 1. CRIMPED CONTACT PIN.
 HEX. CRIMP SIZE .100"

QTY	FINISH	MATERIAL	DESCRIPTION
1	NEXCOTE	BRASS	SOLDER NUT
1	NATURAL	TEFLON	INSULATOR
1	GOLD	PHOS. BRONZE	CONTACT PIN
1	NATURAL	TEFLON	INSULATOR
1	NEXCOTE	BRASS	BODY

APPROVALS	DATE
DRAWN G.R.S.	01/30/04
CHECKED	
ISSUED	
SHEET 1 OF 1	

DO NOT SCALE DRAWING
UNLESS OTHERWISE SPECIFIED DIMENSIONS ARE IN MILLIMETERS. DIMENSIONS IN () ARE IN INCHES AND FOR CUSTOMER REFERENCE ONLY. TOLERANCES FOR MILLIMETERS ARE: 0.5 - 8mm ± 0.20mm 8 - 30mm ± 0.40mm 30 - 120mm ± 0.50mm UNLESS OTHERWISE SPECIFIED TOLERANCES FOR INCHES ARE: .020 - .315 = ± 0.002" .315 - 1.180 = ± 0.015" 1.180 - 4.724 = ± 0.020"

APPENDIX	DATE	DESCRIPTION
CAD FILE	C:/172/172170.DWG	
DWG. NO.	172170.DWG	
REV.	A	
SIZE	A	
SCALE	NA	

Amphenol Connex

N PANEL DIRECT SOLDER JACK
 (FOR .141" SEMI RIGID CABLE)

172170